



PR-1 Parts Cart Assembly Guide

GOLIATH CARTS, LLC
COPYRIGHT 2021



PR1 PARTS CART ASSEMBLY INSTRUCTIONS

Part # PR1



PR1 PARTS CART SAFETY INSTRUCTIONS

Please read completely before using the Cart.

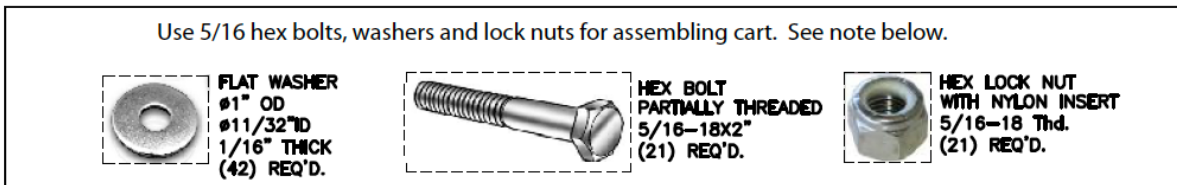
Do not allow children under the age of 18 years of age to use the cart.
Periodically check and ensure the nuts, bolts, foam covers, and other components are in their proper positions, free from damage and that all connections are tight.
Do not use the cart for any other purposes than what is described in our manuals and web site.
Do not use substitute parts. Contact Goliath Carts for replacement parts.

This product is manufactured by Goliath Carts, LLC.
P.O. Box 891210
Temecula, CA 92589

GOLIATH PR1 PARTS CART ASSEMBLY INSTRUCTIONS

Part #	Qty	Description
A	8	Square Tube End Cap 1-1/4"
B	21	Hex Cap Screw, 5/16-18x2"
C	4	Hex Nut 7/16-14
D	21	Nylon Nut 5/16-18
E	42	Flat Washer 5/16-1.0" Diameter
F	4	Flat Washer 3/8
G	3	S-Hooks for hanging items

Use 5/16 hex bolts, washers and lock nuts for assembling cart. See note below.



Tools Needed:

- 5/16 & 7/16 inch sockets for installing and holding bolts during assembly
- 5/16 & 7/16 inch sockets or wrench for holding nuts during assembly

OPTIONAL PRODUCTS: Goliath Part # PR1-RO

RO Holder for PR1 Parts Cart: The Goliath PR1 RO Holder attaches to several locations on the cart. It consists of a White Board and Plastic RO Sleeve. You can write key information on the white board and insert paperwork for the vehicle in the plastic RO sleeve. It is a perfect companion for the PR1 Parts Carts. Part # PR1-RO



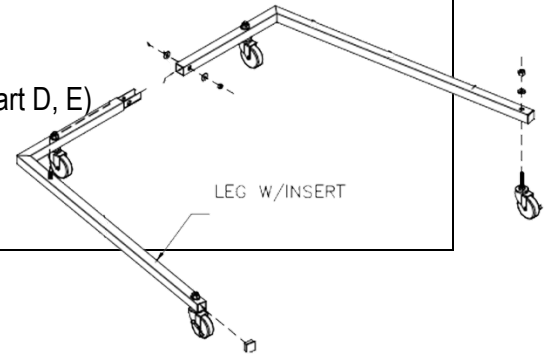
Panel Cart for PR1 Parts Cart: The Goliath PR1 Panel Cart attaches to the back of the cart. It consists of four extra bumper stands. There are padded cushions on each arm to protect all parts placed on it. This product is vital for shops that have a large amount of repairs or larger parts at any given time. Part # PR1-PC



Assembly Instructions

Step 1: Assemble the Base

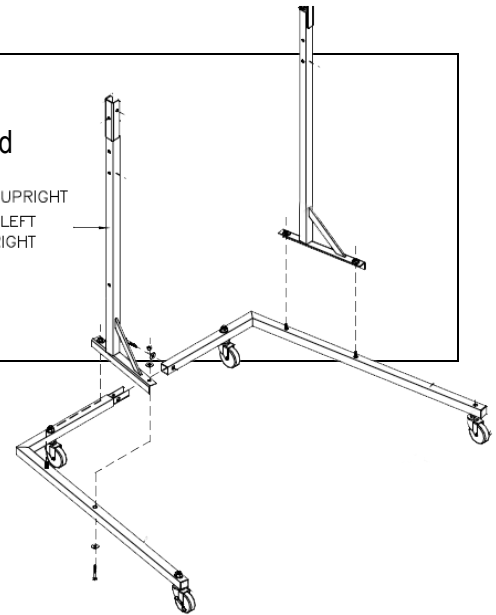
1. Take the (2 pcs) base and lay it on the floor
2. Tighten all nuts and bolts using 5/16" hex bolt, nuts & washers (Part D, E)
3. Assemble all 4 casters with 7/16" nuts and washers (Part C)
4. Tighten all nuts on casters



Step 2: Assemble First Layer of Upright Pieces

1. Use 5/16" hex bolts, nuts and washers (Part D, E) on bottom to add first layer of uprights to base
2. Do not securely tighten yet until all shelves are assembled

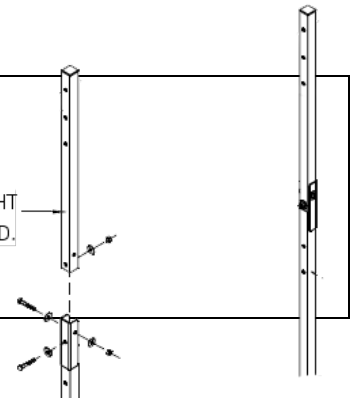
BOTTOM UPRIGHT
(1) LEFT
(1) RIGHT



Step 3: Attach Second Portion of Uprights

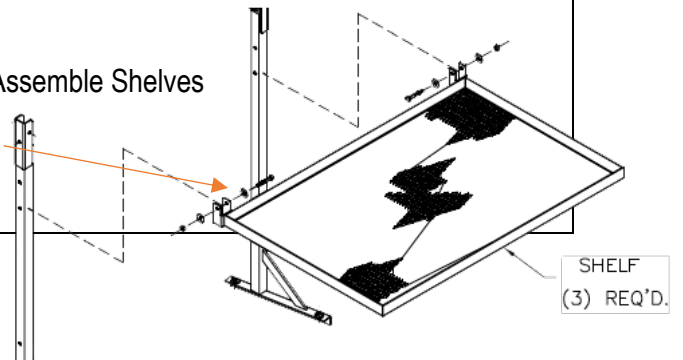
1. Attach to bottom portion of uprights using 5/16" Bolts, Nuts & Washers
2. Do not securely tighten until all shelves are assembled

TOP UPRIGHT
(2) REQ'D.



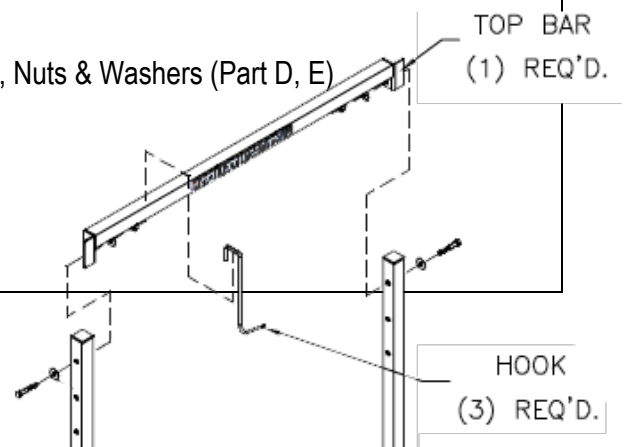
Step 4: Assemble Shelves

1. Place Shelves with brackets on the interior of uprights
2. Use 5/16" Hex Bolts, Nuts and Washers (Part D, E) to Assemble Shelves
3. **Make sure WASHER is BETWEEN upright and shelf**
4. Do not securely tighten for now.



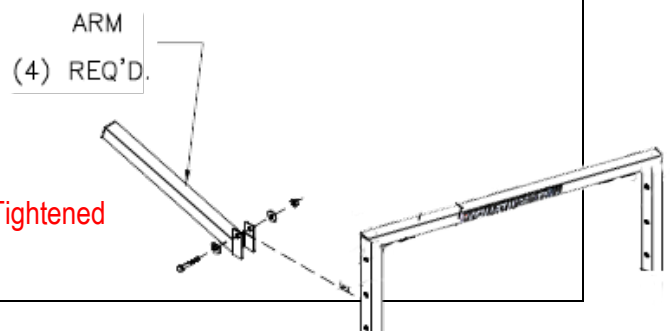
Step 5: Assemble Top Bar

1. Assemble top support bar to uprights using 5/16" Hex Bolts, Nuts & Washers (Part D, E)
2. Tighten completely
3. Add hooks to top bar



Step 6: Attach Bumper Arms

1. Use 5/16" Bolts, Nuts & Washers to back side of uprights (4) REQ'D.
2. Tighten Completely.
3. **Go Back through and Make Sure ALL Nuts and Bolts are Tightened**



YOUR GOLIATH CARTS PARTS CART ASSEMBLY IS NOW COMPLETE.

FULLY ASSEMBLED PR-1 PARTS CART SHOWN BELOW

