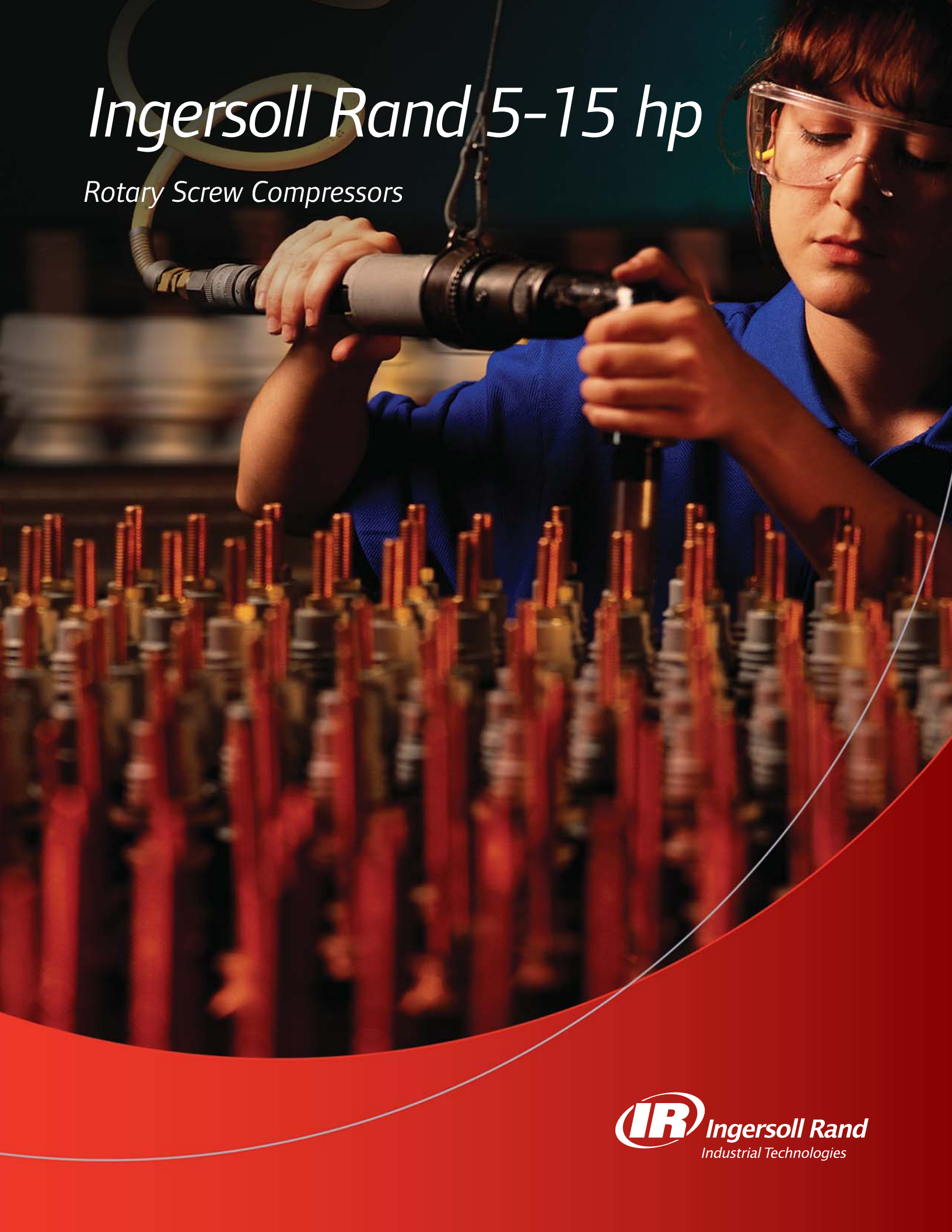


Ingersoll Rand 5-15 hp

Rotary Screw Compressors



A New Standard of Performance

*Achieve Highest Productivity
and Lowest Total Cost-of-Ownership.*

Boost Your Profitability

Boosting your company's profits was the main goal that Ingersoll Rand had in mind when designing the revolutionary UP-Series line of integrated rotary screw air solutions.

So how can a compressed air system help you increase profitability? The answer is really pretty simple: by ensuring that you achieve the highest productivity in your shop while reducing the total costs of ownership to the absolute lowest levels.

The UP-Series is more than an integrated air system; it's a complete air solution designed to maximize the key drivers of profitability in today's business:

- Ultimate reliability
- Shop productivity
- Flexibility of operation
- Energy efficiency and savings

*Welcome to Ingersoll Rand's UP-Series Rotary
Air Solutions, a New Standard of Performance.*



Exceptional Value

Ultimate Reliability

Maximum Uptime

Ingersoll Rand is so confident in the performance of the UP-Series, that we've extended the warranty to five years.

70% Fewer Connections

Smart integration eliminates leaks and pressure drops, maximizing reliability.

Ultimate Efficiency

More Air for Your Money

Industry-leading performance delivers more air for less horsepower, saving thousands of dollars per year on energy.

Smart, Energy-Efficient Controls

Eliminates wasteful unloaded running by cycling the compressor on/off.

Ultimate Flexibility

Compact Footprint

Small footprint frees up valuable floor space and reduces installation costs.

Installation Close to Point-of-Use

Whisper-quiet operation allows for installation closer to point-of-use, reducing costs and ensuring a better, safer work environment.

Ultimate Productivity

Closely Maintained Pressure

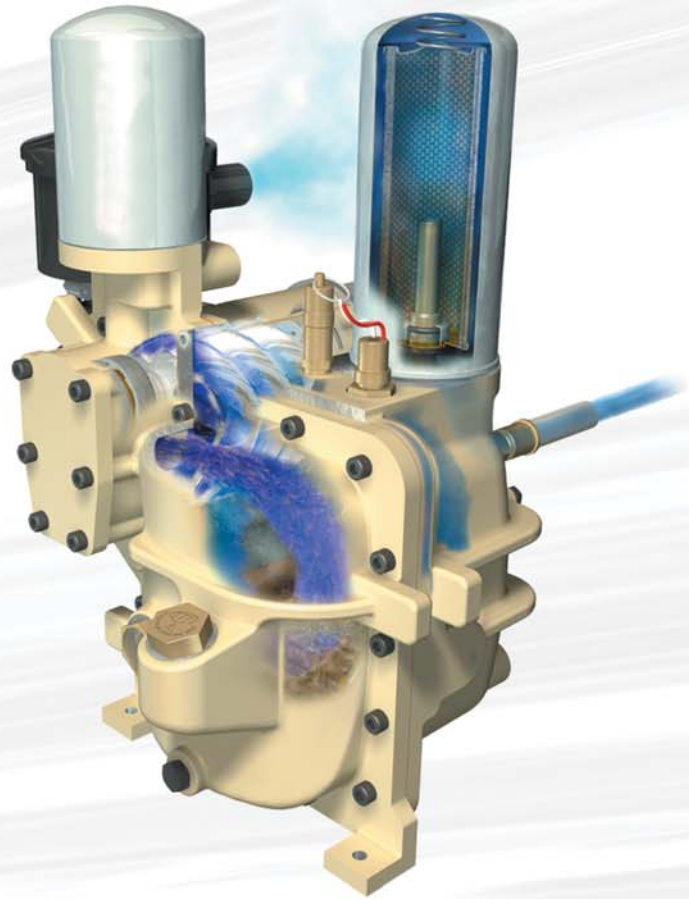
Closely maintained discharge pressure avoids excessive pressure bands and increases downstream tool and equipment life.



Innovation

High-Efficiency Integrated Compression Module

- To provide maximum performance, efficiency and ease-of-service, the airdend, interconnecting piping and separation system have all been integrated into one simple design. Integration of the compression module eliminates leaks and pressure losses to increase efficiency and performance.
- Service and maintenance are made extremely easy through spin-on oil and separator cartridges.



Real World Advantages

Whisper-Quiet Operation

Oversized, high-efficiency motor mount blower. Sound levels as low as 65 dBA.



Poly-V Belt Drive

Premium drive system to minimize belt stretching and increase air output.



Dual-Control Operation

Auto start/stop operation with constant speed control for maximum flexibility.



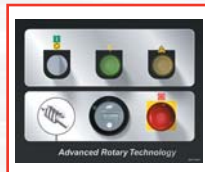
Advanced Cooling

High-efficiency, oversized combination cooler with roof mount discharge for ease of ducting.



Simple Diagnostics

Visual indication of operating status, hours and fault warnings for ease-of-operation and reduced downtime.



Generous Serviceability

Spacious design for ease of serviceability.



The High-Efficiency Compressor Room

Ingersoll Rand's

Total Air System

The UP-Series Fully-Integrated Air System

The Right Choice to Maximize Productivity

At the same time as eliminating the task of selecting separate components, and reducing the extensive space requirements of the traditional compressed air system, the Total Air System will provide your business with maximum efficiency, reliability, flexibility and productivity.

Smart Integration

A Revolutionary Advancement

Going far beyond combining the compressor, dryer and filters in one package, smart integration also:

- Eliminates vulnerable interconnecting piping
- Minimizes pressure losses and drops
- Integrates the compressor, dryer and controls into an energy-reducing, optimized system
- Incorporates the entire supply side system into one whisper-quiet package enabling installation virtually anywhere
- Provides generous space to promote cooling and to allow unobstructed service



...Without the Need for an Actual Room

Dry and Clean Compressed Air

The Right Air Quality to Do the Job

All Total Air System packages come fully equipped with an integral, energy-saving air treatment center including a high-performance air dryer and filtration pack to remove water, oil and particles from the air stream.

All components are perfectly matched to deliver the right air quality to increase air-powered tool and system equipment life.

High-Efficiency Components

Setting the Standard in System Design

The UP-Series Total Air System incorporates only the highest quality components to ensure that both system efficiency and productivity are maximized—a high-efficiency compressor room without the hassle, complexity and costs of the traditional compressor room. Total Air System packages come fully equipped with:

- A high-efficiency rotary screw air compressor
- An energy-saving, cycling refrigerated air dryer
- A high-efficiency coalescing filter
- A high-efficiency particulate filter
- An integral air receiver storage tank
- Integrated compressor and dryer controls
- Low pressure drop piping
- A high-efficiency moisture separator
- Whisper-quiet, low sound operation

Lifetime Benefits

Benefits are Virtually Endless...

- Plug-and-play simplicity – eliminates the number one cause of failure in air systems – incorrect sizing and installation
- Virtually no installation costs – eliminates 80% of installation time, material and costs
- Integral packaging saves valuable floor space for other uses.
- Lifetime power savings through highly efficient components
- Increased productivity through better air quality – eliminates water and corrosion resulting in extended tool and equipment life
- Whisper-quiet operation enables installation closer to point-of-use, which can eliminate hundreds of feet in piping and costly pressure drops.

Integral Air Treatment

Dual Filtration Pack

Clean Air to Drive Productivity

- Two stages of filtration deliver best performance, reduce pressure losses and extend operating life.
- Particulate removal to industry-leading 1 micron
- Oil removal down to 0.01 micron
- Longer element life, lower pressure drop
- Better air quality delivered to tools and equipment results in longer life.



Energy-Saving Refrigerated Air Dryer

Dry Air to Drive Productivity

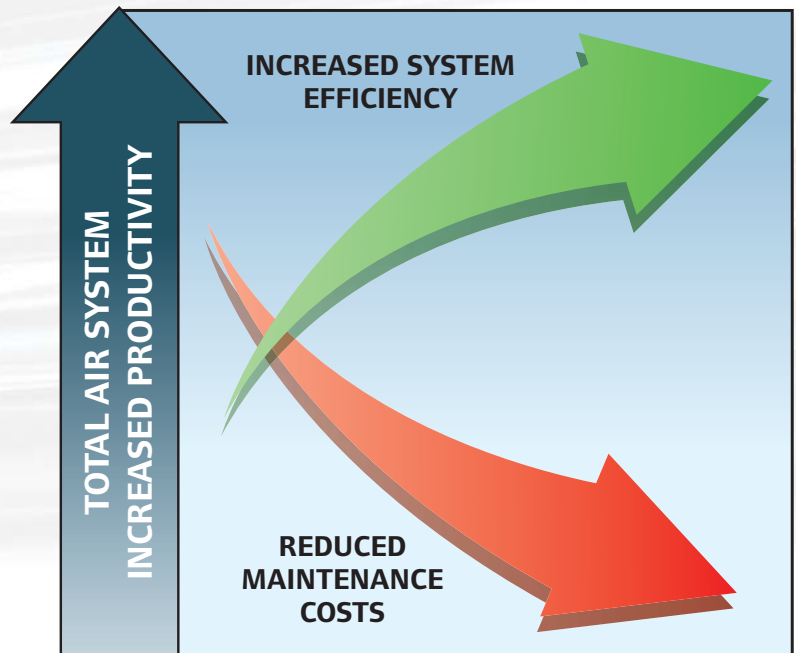
- Cycling dryer – automatically shuts off with the compressor, saving energy compared to traditional dryers, which run continuously.
- Stainless steel, braised heat exchanger for low losses, high thermal efficiency and long service life
- Solenoid drain valve and high-efficiency moisture separator to permanently discharge condensate
- Eliminates corrosion of piping—a cause of premature wear of tools and seals



Smart Integration

Advanced Packaging to Drive Reliability and Uptime

- Integrally cooled with common blower to ensure cooling is achieved 100% of the time that compressor is running
- Spacious design promoting serviceability
- Package pre-filter for longer cooler life and lower pressure drops
- Simplified piping eliminates potential leaks.
- Single-point condensate drain system instead of separate points – eliminates leaks.
- Patented segregated package cooling compartment provides advanced cooling flow management and reduces noise level.



Choosing the Right Air Solution has Never Been Easier...

Asset Protection

Leading Warranty as Standard

Five-Year Warranty Protection

All Ingersoll Rand UP-Series compressors come standard with a one-year package warranty and a four-year extended parts warranty coverage.

PackageCare

Protect Your Equipment and Your Budget

PackageCare is a predictable cost-of-ownership service program designed to help you optimize your investment. Over the five-year PackageCare program term, Ingersoll Rand takes care of your compressed air equipment.

PackageCare Coverage

- Entire package* components
- All labor, travel and freight
- Product diagnostic sampling and trending

Peace of Mind

- Predictable cost-of-ownership
- Increased reliability
- Consistent product quality
- Authorized factory-trained technicians

Ultra Plus Lubricant

All units come standard with Ingersoll Rand's Ultra Plus advanced synthetic lubricant:

- 9,000-hour extended lubricant life
- Simple condensate separation
- High level of biodegradability



Parts Kits Make it Simple

Simple-to-order parts kits make it easy to ensure that you have the right parts on hand when you need them. Ingersoll Rand's reputation for compressor parts availability and reliability is second to none.

* Ask your authorized Ingersoll Rand dealer for additional details.



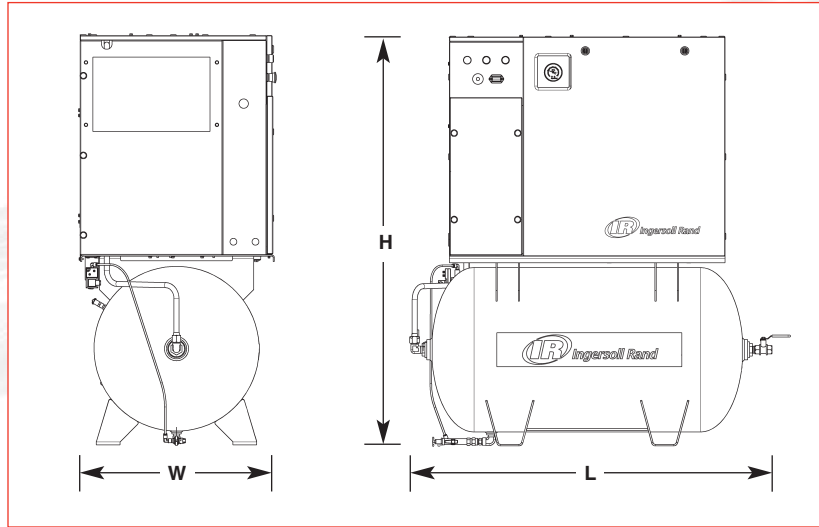
Ease of Service

Ingersoll Rand designed the UP-Series package with ease of service in mind. Spin-on oil filter and separator element along with 3,000/9,000 hour service intervals make life simple. Your Ingersoll Rand Air Solutions provider will recommend the most cost-effective maintenance program to keep your investment operating trouble-free for years.

Service Supervisor on Board

- Keep your machine performing at its best. Eliminate the guesswork of when to provide service with the optional maintenance indicator.





Industry-Leading Performance

60 Hertz Total Air System Specifications							60 Hertz Specifications - Without Air Treatment System					
Model No.	Discharge Pressure Compressor Package			Capacity *			Model No.	Discharge Pressure		Capacity *		
	hp	psig	psig	cfm	m ³ /min	dBa [†]		hp	psig	cfm	m ³ /min	dBa [†]
UP6-5TAS-125	5.0	125	115	18.5	0.52	65	UP6-5-125	5.0	125	18.5	0.52	65
UP6-5TAS-150	5.0	150	140	16.0	0.45	65	UP6-5-150	5.0	150	16.0	0.45	65
UP6-7TAS-125	7.5	125	115	28.0	0.79	65	UP6-7-125	7.5	125	28.0	0.79	65
UP6-7TAS-150	7.5	150	140	25.0	0.25	65	UP6-7-150	7.5	150	25.0	0.25	65
UP6-7TAS-210	7.5	210	200	17.5	0.50	65	UP6-7-210	7.5	210	17.5	0.50	65
UP6-10TAS-125	10.0	125	115	38.0	1.08	68	UP6-10-125	10.0	125	38.0	1.08	68
UP6-10TAS-150	10.0	150	140	34.0	0.96	68	UP6-10-150	10.0	150	34.0	0.96	68
UP6-10TAS-210	10.0	210	200	24.0	0.68	68	UP6-10-210	10.0	210	24.0	0.68	68
UP6-15cTAS-125	15.0	125	115	55.0	1.55	69	UP6-15c-125	15.0	125	55.0	1.55	69
UP6-15cTAS-150	15.0	150	140	50.0	1.42	69	UP6-15c-150	15.0	150	50.0	1.42	69
UP6-15cTAS-210	15.0	210	200	38.0	1.08	69	UP6-15c-210	15.0	210	38.0	1.08	69

Dimensions & Weight							Total Air System		Without Air Treatment System	
50 & 60 Hertz Baseplate and Receiver Mounted Units										
	Pressure		Capacity		Height		Weight		Weight	
	inch	mm	inch	mm	inch	mm	pounds	kg	pounds	kg
Base Mount	41.0	1042	28.9	734	36.0	914	725	330	650	295
80 Gallon Receiver Tank	53.6	1361	28.9	734	60.7	1541	1000	454	925	419
120 Gallon Receiver Tank	74.7	1897	28.9	734	60.7	1541	1035	470	960	435
272 Liter Receiver Tank	51.6	1311	28.9	734	60.7	1541	1003	455	928	420
500 Liter Receiver Tank	81.0	2059	28.9	734	60.7	1541	1080	490	1005	455

50 Hertz Total Air System Specifications							50 Hertz Specifications - Without Air Treatment System					
Model No.	Discharge Pressure Compressor Package			Capacity *			Model No.	Discharge Pressure		Capacity *		
	kW	barg	barg	m ³ /min	cfm	dBa [†]		kW	barg	m ³ /min	cfm	dBa [†]
UP5-4TAS-8	4.0	8.0	7.3	0.55	19.5	65	UP5-4-8	4.0	8.0	0.55	19.5	65
UP5-4TAS-10	4.0	10.0	9.3	0.45	16.0	65	UP5-4-10	4.0	10.0	0.45	16.0	65
UP5-5TAS-8	5.5	8.0	7.3	0.82	29.0	65	UP5-5-8	5.5	8.0	0.82	29.0	65
UP5-5TAS-10	5.5	10.0	9.3	0.74	26.0	65	UP5-5-10	5.5	10.0	0.74	26.0	65
UP5-5TAS-14	5.5	14.5	13.8	0.51	18.0	65	UP5-5-14	5.5	14.5	0.51	18.0	65
UP5-7TAS-8	7.5	8.0	7.3	1.08	38.0	68	UP5-7-8	7.5	8.0	1.08	38.0	68
UP5-7TAS-10	7.5	10.0	9.3	0.96	34.0	68	UP5-7-10	7.5	10.0	0.96	34.0	68
UP5-7TAS-14	7.5	14.5	13.8	0.68	24.0	68	UP5-7-14	7.5	14.5	0.68	24.0	68
UP5-11cTAS-8	11.0	8.0	7.3	1.60	56.5	69	UP5-11c-8	11.0	8.0	1.60	56.5	69
UP5-11cTAS-10	11.0	10.0	9.3	1.42	50.0	69	UP5-11c-10	11.0	10.0	1.42	50.0	69
UP5-11cTAS-14	11.0	14.5	13.8	1.08	38.0	69	UP5-11c-14	11.0	14.5	1.08	38.0	69

* Performance in accordance with ISO 1217 1996 annex C † Measured in accordance with CAGI-pneurop test code PN8NTC2.3



Ingersoll Rand Industrial Technologies provides products, services and solutions that enhance our customers' energy efficiency, productivity and operations. Our diverse and innovative products range from complete compressed air systems, tools and pumps to material and fluid handling systems and environmentally friendly microturbines. We also enhance productivity through solutions created by Club Car®, the global leader in golf and utility vehicles for businesses and individuals.

www.ingersollrand.com

Air Solutions
P.O. Box 1840
800-D Beaty Street
Davidson, NC 28036
(704) 655-5000
(704) 655-4039 Fax



Ingersoll Rand compressors are not designed, intended or approved for breathing air applications. Ingersoll Rand does not approve specialized equipment for breathing air applications and assumes no responsibility or liability for compressors used for breathing air service.

Nothing contained on these pages is intended to extend any warranty or representation, expressed or implied, regarding the product described herein. Any such warranties or other terms and conditions of sale of products shall be in accordance with Ingersoll Rand's standard terms and conditions of sale for such products, which are available upon request.

Product improvement is a continuing goal at Ingersoll Rand. Designs and specifications are subject to change without notice or obligation.